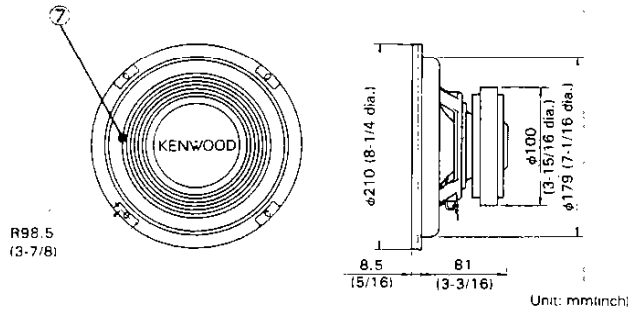


KFC-W208 SERVICE MANUAL

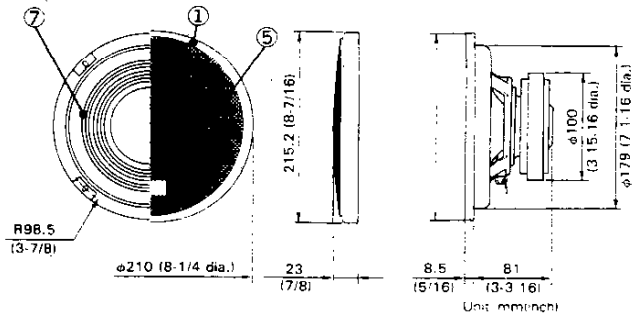
KENWOOD
Q.C.
COPY

©1991-5 PRINTED IN JAPAN
B51-6320-00(T) 1423

DIMENSIONS (K type)



DIMENSIONS (E, M type)



SPECIFICATIONS (K type)

■ KFC-W208	
Subwoofer	200 mm (8") Cone Type
Nominal Impedance	4 ohms
Peak Input Power	300 watts
Rated Input Power	100 watts
Sensitivity	92 dB/watt at 1 m
Free Air Resonance	55 Hz
Frequency Response	55 to 2,000 Hz
Recommended Crossover	
Frequency	800 Hz or lower
Dimensions	
Diameter	210 mm (8-1/4")
Height	8.5 mm (5/16")
Depth	81 mm (3-3/16")
Net Weight	1.8 kg (4 lbs)/piece
Supplied Parts	
	Screws
	ø 4 - 30 mm (3/16" dia. - 1-1/8") x 8
	Clip nuts ø 4 (3/16" dia.) x 8

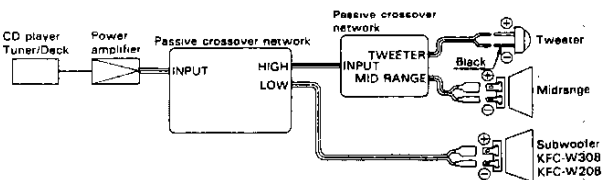
SPECIFICATIONS (E, M type)

■ KFC-W208	
Subwoofer	200 mm (8") Cone Type
Nominal Impedance	4 ohms
Peak Input Power	300 watts
Rated Input Power	100 watts
Sensitivity	92 dB/watt at 1 m
Free Air Resonance	55 Hz
Frequency Response	55 to 2,000 Hz
Recommended Crossover	
Frequency	800 Hz or lower
Dimensions	
Diameter	227.2 x 215.2 mm (8-15/16 x 8-7/16")
Height	23 mm (7/8")
Depth	81 mm (3-3/16")
Net Weight	1.95 kg (4-1/4 lbs)/piece
Supplied Parts	
	Grille x 2
	KENWOOD badge x 2
	Bolts M 4 - 70 mm (2-3/4") x 8
	Screws
	ø 4 - 40 mm (3/16" dia - 1-1/2") x 8
	Washers ø 4 (3/16" dia.) x 16
	Spring washers ø 4 (3/16" dia.) x 8
	Nuts M 4 x 16
	Clip nuts ø 4 (3/16" dia.) x 8

(KENWOOD follows a policy of continuous advancements in development. For this reason specifications may be changed without notice.)

(KENWOOD follows a policy of continuous advancements in development. For this reason specifications may be changed without notice.)

SYSTEM CONNECTIONS



PARTS LIST

★ New parts
Parts without **Parts No.** are not supplied.
Les articles non mentionnés dans le **Parts No.** ne sont pas fournis.
Teile ohne **Parts No.** werden nicht geliefert.

Ref No.	New Parts	Parts No.	Description	Des-tination
①	★	B06-0652-02	GRILLE ASSY	E, M
②		B43-0868-04	BADGE SET	E, M
③		B46-0100-20	WARRANTY CARD	K, E, M
④	★	B61-0460-00	INSTRUCTION MANUAL	K
④	★	B61-0469-00	INSTRUCTION MANUAL	E, M
⑤	★	F09-1023-03	PROTECTOR	E, M
⑥		N99-1065-08	SCREW SET	E, M
⑥		N99-1134-04	SCREW SET	K
⑦	★	T10-0529-03	SPEAKER	K, E, M

K : North America
E : Europe
M : Other Areas